

GSD X and XI Strongroom Doors

CEN grade X – XI (kB)



The GSD range - combination of technology and strength

The GSD range of strongroom doors are tested and approved by the German VdS test institute in accordance with the European burglary test standard norm prEN1143. To pass this test the GSD doors have been designed to withstand the most sophisticated attack methods, employing the latest tools available.

Highest security and quality

The test standards for burglary safes and strongroom doors have been established as part of the ongoing process to have common European standards. Strongroom doors approvals range from Grade V-XIII.

By employing "Gradium", a new generation of defensive barrier material, this guarantees high quality protection and places the GSD strongroom door range among the best in the world.

The door, bolts, frame and the wall connection is designed to eliminate any weak points.

The doorframe has the same type of barrier material as the door blade and prepared for solid anchoring into the wall aperture.

As option the doors can be delivered with the **KB** approval from the German VdS institute for added protection against diamond core drilling.

To comply with the European standard; ISO 9000 quality approval is a prerequisite and all the Rosengrens factories comply accordingly.

Locking alternatives

Grade X doors requires two and Grade XI doors requires three high security locks class C(3).

For the GSD X-XI following alternatives are available to suit individual requirements

- Two/Three key locks
- Two/Three combination locks
- Two/Three electronic locks
- Combination of above locks

The Ganox electronic lock has twin circuitry for the highest

reliability and is easy to operate. Features include multiple user codes, time lock, time delay, remote controlled opening, alarm switching etc.

Grill gate

The GSD doorframe is prepared for a grill gate, equipped with mechanical keylock or electric lock with an automatic door closer.

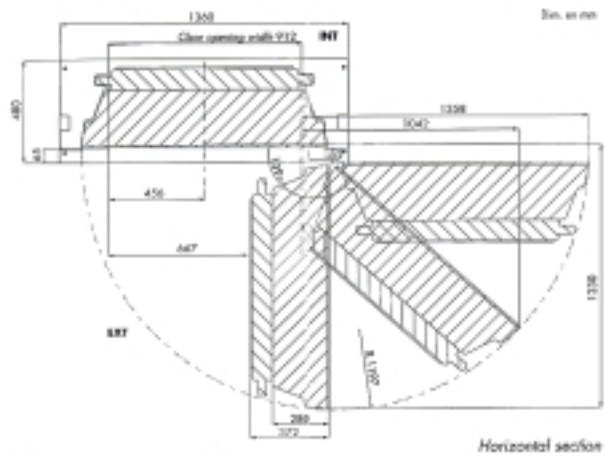
Designed for ease of use

Particular attention has been paid to ensure ease of operation of the GSD doors:

- Easily accessible locks
- The handle rotates and withdraws the locking bolts with minimum force
- High quality bearings to ensure the door swings open smoothly

Options

- Alarm kit
- Grill-gate, painted or stainless-steel
- Rear of door in stainless steel
- Light switch
- Stainless steel sill
- Frame extensions for varying vault thickness
- 1200mm wide clear opening



Specifications	GSD X - X KB	GSD XI - XI KB
Real protective thickness	280mm	280 mm
Overall height	2157 mm	2157 mm
Overall width	1360 mm	1360 mm
Clear opening height	2030 mm	2030 mm
Clear opening width	912 mm	912 mm
Approximate weight	2650 kg	2730 kg

All rights reserved for modifications.



E A Rosengrens AB, Box 12143, S-402 42 Göteborg, Sweden.
 Phone +46 (0)31-727 79 00. Fax +46 (0)31-727 79 79.
 e-mail: rosenegrens.international@rosengrens.com
 www.rosengrens.com

A company within the GUNNEBO Group

Art. nr 200012